



FUNDRAISING: ROHINGYA CRISIS HUMANITARIAN AID IN BANGLADESH

PROPOSAL TEMPLATE

Migrant88 Research & Consultancy Sdn. Bhd.

Proposal Title	Empowering Rohingya refugees in Bangladesh through humanitarian aid delivery to Rohingya refugee camps in Teknaf, Bangladesh
Name of Lead Organization	Migrant88 Research & Consultancy Sdn. Bhd.
Names of Partnering Organization (if any)	Azadi Association
Contact Person(s)	Ashik Rahman / Khadijah Shamsul
Email	ashik@migrant88.com / khadijah@migrant88.com
Phone	014-994 2544 / 011-24359542
Office Address	L11-9, Menara Sentral Vista, 150, Jalan Sultan Abdul Samad, Brickfields Kuala Lumpur, 50470, Wilayah Persekutuan, Malaysia
Requested Amount	RM 200,000
Time Frame of Proposed Activities	September 18 to November 20, 2017

1. Description of the civil society organization leading and participating in this project

Migrant88 is a non-governmental organization which focuses on finding solutions to issues such as human trafficking, abuse of visa and unlawful treatment of migrants in host countries. Migrant88 believes in facing issues with regards to crisis head-on, as they are often times time-sensitive and require prompt actions by all parties in order to save lives at risk.

Migrant88 recognizes the importance of collaboration in order to achieve the greatest results. Frequent collaboration therefore takes place between Migrant88 and various stakeholders. Some partners which Migrant88 have collaborated with include *The Star's R.AGE on a documentary entitled "Student/Trafficked"* (see the video here: <https://goo.gl/YCBf9H>) and *Al-Jazeera's "Babies for Sale" documentary* (see the video here: <https://goo.gl/ogqVEy>).

Migrant88 also frequently collaborates with other media agencies to highlight migrant-related issues in Malaysia; an example being the recent *college visa*



issue (read here: <https://goo.gl/MxqoKf>) and the *Malaysian E-Card Scheme* covered by CGTV (watch here: <https://goo.gl/rL6sei>).

To date, Migrant88 has run 2 successful community outreach programs to migrants around Kuala Lumpur (see here: <https://goo.gl/ofVCfL>) and Cyberjaya, feeding close to 2,000 migrants just in the last 3 months (see here: <https://goo.gl/C7vKsN>).

For this fundraising endeavour, Migrant88 hopes to secure funds in order to provide immediate humanitarian aid in the form of food, building of shelters and enhancing sanitation by providing source of clean water and building clean toilets at the refugee camps in Bangladesh.

2. Background and justification

In the first few weeks of September 2017, the world witnessed an astounding amount of refugee influx into Bangladesh – with a record of 400,000 Rohingyas crossing into the south-eastern tip of Bangladesh in only 3 weeks.

This is in addition to the previous 200,000 Rohingyas that travelled on foot for 10 days across the borders to Bangladesh, running away from prosecution, ethnic cleansing and systematic destruction of homes; in hope for a fighting chance to stay alive. With Bangladesh pressed economically to provide for the 160 million citizens in the country, its resources are spread even thinner to provide for an additional 700,000 Rohingya refugees that now occupy the border of Bangladesh. (Blomqvist, 2017)

Many in the camps complain of starvation, the lack of clean water as well as a lack of shelters due to the sheer number of refugees which are beyond what the area can accommodate. While they flee persecution in their home country, the situation at the new country does not seem much brighter – with many struggling to find food for their daily consumption or any form of medical assistance.

The situation is expected to worsen in the next 3 years, with Bangladesh expecting more Rohingyas to cross over as talks that the military in Buddhist-majority Myanmar will intensify their operations in Rakhine state. While there is international pressure around the Myanmar-Rohingya issue at home, discussions among states and governmental prerogative to handle the issue will take months (or in some cases, years – like Syria and Palestine); time that the Rohingya refugees do not have in the resources-strapped refugee camps in Bangladesh.



Especially with winter fast approaching, Migrant88 intends to provide winter clothes and a longer-term accommodation solution in the form of purchasing of tents, and building clean toilets to the expanding refugee camps. Migrant88 believes that the donation towards such aid will create better and greater impact in the long-run for the refugees, as it provides some form of stability and better condition of living for the Rohingya refugees.

3. Project Objectives and Strategy

Objectives:

- (I) To provide humanitarian aid to Rohingya refugees in Bangladesh.
- (II) To provide clean water and sanitary assistance to the Rohingya refugees to increase their basic standard of living.
- (III) To ease the burden of the Bangladesh government in assisting and supporting the refugee camps currently set up and those in future sites.
- (IV) To assist in combating the possibility of epidemics in highly concentrated communities due to poor hygiene and lack of clean water.

Strategy:

- (I) Migrant88 organizations in selected countries will collaborate with Migrant88 of Bangladesh to purchase supplies in Bangladesh; to maximise the value spent for each MYR.
- (II) Migrant88 volunteers will be sending trucks of aid to the refugee camps on 14 November 2017.
- (III) Migrant88 volunteers and hired workers will also be staying for a week at the refugee camps to help build latrines and deep tube well for the refugees at the camp.

4. Project Target Beneficiaries

Corporations and private donors in Migrant88's branch countries.

5. Target Locations

- (I) Malaysia
- (II) Australia
- (III) United Kingdom
- (IV) Bangladesh



(V) Singapore

(VI) USA

6. Project Activities and Timeline

Activity	Timeline
Publicity & Outreach: <ul style="list-style-type: none"> - Producing publicity material for distribution to the public (inclusive of social media) - Highlight event in media - Distribution of proposal to potential donors and corporations <i>OFFICIAL HASHTAG:</i> <i>#M88HelpsRohingyas</i>	19 September – 10 November 2017
Fundraising: <ul style="list-style-type: none"> - Collection of funds from private donors - Collection of funds from corporations 	1 October – 10 November 2017
Setting Up: <ul style="list-style-type: none"> - Purchase of food supplies - Purchase of material to build 30 deep tube wells - Purchase of material to build 50 latrines 	10 November – 14 November 2017
Delivery of Aid: <ul style="list-style-type: none"> - Delivery of supplies to refugee camps - Building of latrines and deep tube well in the refugee camps 	14 November – 20 November 2017

7. Budget

Item	Unit	MYR	Total MYR
Winter Clothing & Blanket	2,000	25	50,000
Latrines	50	700	35,000
Deep Tube well	30	1,269	38,070
Tents Plastic	10,000	5	50,000
Cooking utensil	200	50	10,000
Transportation & Manpower		16,930	16,930
		GRAND TOTAL:	200,000



Please refer to the Appendix for a detailed breakdown of the budget as well as working plan for each item in the budget.

8. Conclusion

We hope to help as many Rohingya refugees as possible, and we would need your help to make it happen. For more information, do visit our Facebook page (<https://www.facebook.com/Migrant88/>) or drop our contact person(s) an email for inquiry.

If you would like to contribute to this endeavour, kindly make your donation to the bank detail below and send your proof of donation to khadijah@migrant88.com:

Bank : RHB Bank
Account Name : MIGRANT88 RESEARCH & CONSULTANCY SDN BHD
Account No : 2640-6700-0090-65
SWIFT Code : RHBBMYKL

Or contribute via PayPal/credit card here:
<https://gogetfunding.com/m88helpsrohingyas/>

Every cent counts in helping #M88HelpsRohingyas!

Works Cited

Blomqvist, O. (2017, September 16). *Rohingya Crisis : Bangladesh should take help from global community to tide over humanitarian disaster*. Retrieved September 18, 2017, from FirstPost: <http://www.firstpost.com/world/rohingya-crisis-bangladesh-should-take-help-from-international-community-to-tide-over-humanitarian-disaster-4049995.html>

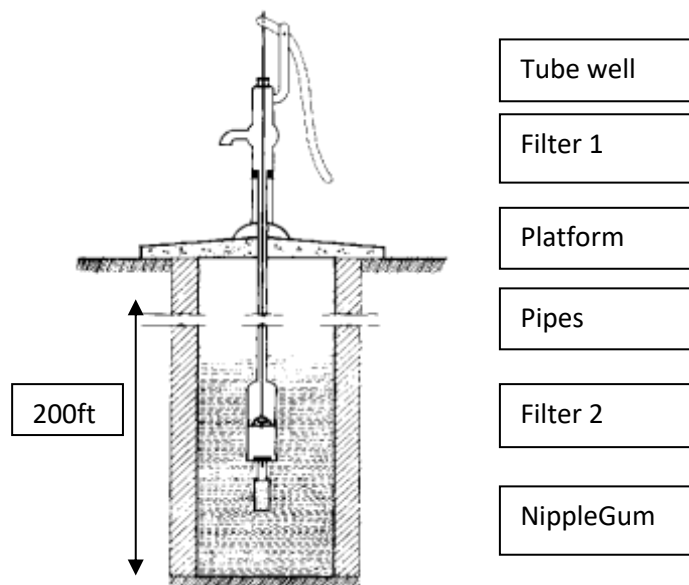


APPENDIX

PURCHASE OF 30 DEEP TUBE WELL (RM 38,070)

Below are the estimated costs of materials that will be required to construct and install a tube well in refugee camps. Please note that prices may vary, and the following is based upon survey done in Ukhia's Bazaar and Cox's Bazaar. Manpower will be sourced from volunteers and Construction Company within the area.

The recommended depth of each deep tube well will be 200 feet. Drilling at a lower depth will decrease the cost of installation.¹

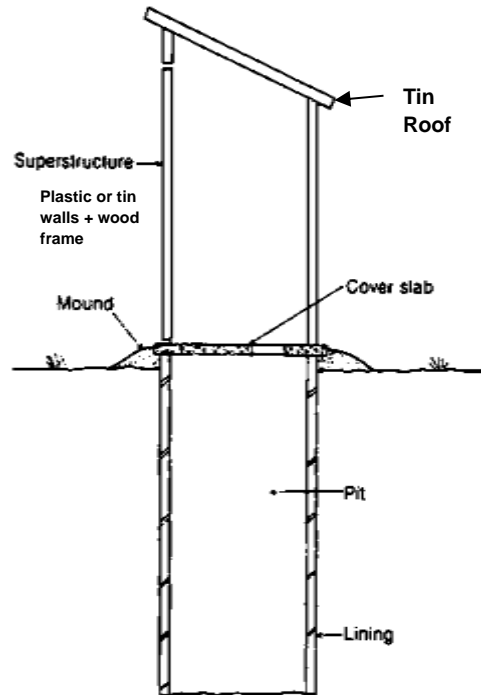


Detailed Breakdown:

Item	Price / Unit	Unit	Total Cost (Per Tube Well)
Bricks (for platform construction of 4ft*4ft)	MYR 0.40	150	MYR 60.00
Well Digging Charge	MYR 1.55	200 ft	MYR 310.00
Pipe	MYR 1.65	200 ft	MYR 330.00
Filter	MYR 62	2	MYR 124.00
Tube well	MYR 207	1	MYR 207.00
Nipple	MYR 20	1	MYR 20.00
Gum	MYR 7	4	MYR 28.00
Labour Charge	MYR 170	1	MYR 170.00
Extra charge	MYR 20	1	MYR 20.00
TOTAL			MYR 1,269.00

¹These information are provided by one of our partner in Bangladesh "Helping Hands". They already built some deep tube well installations. https://ntiers.net/projectrohingya/diy/installing_tubewell/

PURCHASE OF 50 LATRINES (RM 35,000)



Detailed Breakdown:

Item	Price / Unit	Unit	Total Cost (Per Latrine)
Bricks (for platform construction of 4ft*4ft)	MYR 0.40	150	MYR 60.00
Gravel / Sand / Cement			MYR 55.00
Drilling Charge	MYR 1.55	6 ft	MYR 10.00
Pipe (6' in diameter)	MYR 5.00	6 ft	MYR 30.00
Wall Plastic / Tin	MYR 5.50	12 m	MYR 65.00
Wood frame (if plastic wall)	MYR 2.00	20 m	MYR 40.00
Roof / Door / Other Cost			MYR 100.00
Lining for the pit	MYR 10.00	15 m	MYR 150.00
Labour charge	MYR 170.00	1	MYR 170.00
Extra Charge	MYR 20.00	1	MYR 20.00
TOTAL			MYR 700.00

The drilling and the building will be done by the nearest company in Cox's Bazar and will need 2-3 workers for each piece of deep tube well and latrine.



Purchase of 10,000 m of plastic tent (RM 50,000)



We will be purchasing 10,000 metres of plastic to make tents for the refugees. As mentioned, these refugees are looking for a shelter for them and their families.

We will try to maximise the number of people we can provide shelter for temporarily while the Government of Bangladesh continues to build facilities within the refugee camps.

Each metre of plastic tent is MYR 5.

Purchase of 2000 units of winter underwears + blankets (RM 50,000)



We will be purchasing 2,000 units of winter underwear and blankets for the winter. Purchasing will be done in Bangladesh because of lower denomination of currency and to reduce transport cost to carry from Malaysia. We opt for winter underwear because winter clothing are bulky and inconvenient as refugees live in a transient environment and the clothing may be difficult to carry around past winter time. Do keep in mind that these refugees have no space to store the clothes and most of the clothes that were donated to them are suitable for warm weather.

By purchasing winter underwear, they may wear them under their clothes and this reduces wastage as well as maximizes utility of items donated to the refugees. Each winter wear will be purchased at MYR 25/set.

TRANSPORTATION & MANPOWER

Due to the fact that we need to transport the building materials as well as other supplies for the refugees, we are looking to rent a lorry for a period of 1 week to bring the material for the building of latrines and deep tube well.